

Specification

Model	CCI-2065
Pick Up Element	SONY 1/3 Super Had "CCD
Effective Picture Elements (H*V)	NTSC:768×494
Horizontal Resolution	540 TV Lines
S/N Ratio	More than 50dB
Clock Frequency (MHZ)	NTSC:19.0699
Scanning System	2:1 interlace
Minimum Illumination	0.5 / 0.01 Lux / F 1.2
Synchronous System	Internal, Negative sync.
Auto Electronic Shutter	NTSC:1/60s~1/100,000s
DAY / NIGHT	AUTO
Iris Control	Video/DC iris
White Balance	AWB
Back Light Compensation	ON/OFF
Video Output	1Vpp,75 Ω
Auto Gain Control	ON/OFF
Power/Current	12VDC(+/-10%)/100mA
Lens	C / CS Mount
Dimension (mm)	68×60×76 mm
Weight (g)	360 g
Storage Temperature	-30~ + 60°C
Operating Temperature	-10~ + 50°C

Packing List

No	Name	Model	Number
1.	Auto-Iris Box Color Camera	CCI-2065	1
2.	User Guide	CCI-2065 Series	1

CCI-2065 Series Color Camera

Auto-Iris Box Color Camera High Resolution 540Lines Day/Night



Notes: Before providing power for the camera, please read this User Guide in detail!

Do not attempt to disassemble the camera. If the camera can not work, please contact local franchiser or our company.

BRIEF OF PRODUCT

* Sensor (CCD)

Adopt SONY 1/3" Super Had CCD Sensor.

* Auto Gain Control (AGC)

Built-in auto gain control (AGC) circuit. The color camera can get high definition picture in low Lux condition.

* Auto White Balance (AWB)

Built-in auto white balance function.
Color temperature: between 2500K-9500K.

* Auto Electronic Shutter (AES)

Built-in auto electronic shutter function. The color camera's AES speed can reach **1/100,000s**.

* Gama Characteristic

Camera Gama characteristic is **0.45**.

* Scanning Mode

NTSC mode.

* Lens

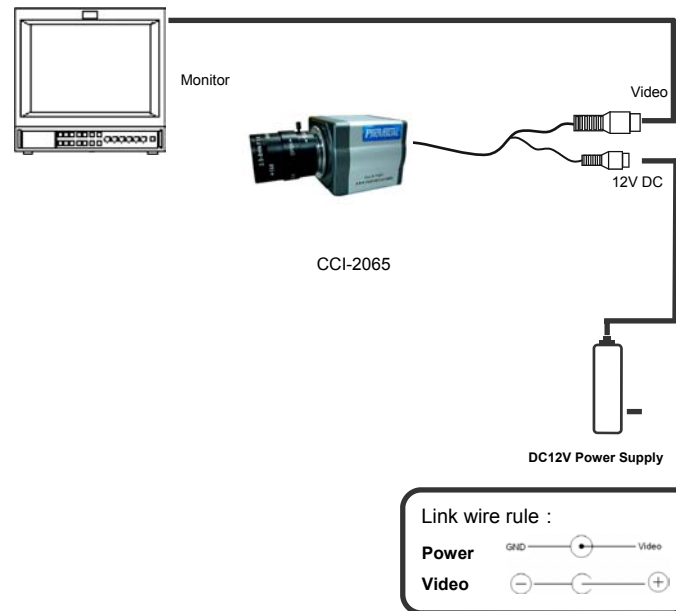
Various focal length lens can be made to order.



Notes :

- The power supply must through safe attestation. Its output voltage, current, voltage polarity and operating temperature must match the camera's requirement.
- When using the camera in the thunderbolt condition, please note to mount Anti-thunder device or put off the power supply plug and cable.

CONNECTING



TROUBLE AND SOLUTION

1. No Picture after providing power

- . May be the power supply voltage abnormality, please check the power supply voltage and pole whether exactitude.
- . Please check all the connecting cable and monitors whether be connected correctly or not.

2. The picture level direction have flowing interference ripples

- . May be caused by the power supply AC ripples, it need filter the wave of the power supply.
- . Check the monitor and peripheral equipments used.

3. The picture background color changes continuously

- . The fluorescent lamp's electromagnetic field cause color roll. This is proper phenomenon of the cameras.
- . Reduce the fluorescent lamp numbers or increase the distance between the camera and the fluorescent lamps can improve it.
- . Use power supply external sync. camera can solve it.

4. The picture smear too mass

- . The power supply's voltage unstable.
- . Connecting cables not connect correctly or have high impedance.

INTRODUCTION

Congratulations on your purchase of this product. This User Guide suits CC-2065 series product. We adopt the latest SONY technical of sensor and driver. The most attractive characteristics are auto-Iris and built-in mini microphone and back light compensation functions. In addition, it owns the characters of high definition and stability, strong anti-jamming, rich and real color. Fixing and using this model are convenient too. It is very good for you to apply to yours CCTV system.

Please read this instruction manual carefully to ensure proper use of the product.



To prevent fire or shock hazarded. Do not expose the unit to rain or moisture.



The symbol is intended to alert the user to the presence of important operating and maintenance (servicing) instructions in the literature accompanying the appliance.



The symbol is intended to alert the user to the presence of uninsulated 'dangerous voltage' within the product's enclosure that may be of sufficient Magnitude to constitute a risk of electric shock to persons.

	CAUTION: RISK OF ELECTRIC. DO NOT OPEN	
SHOCK CAUTION: TO REDUCE THE RISK OF ELECTRIC DO NOT REMOVE COVER OR BANCK NO USER SERVICEABLE PARTS INSIDE. REFER SERVICING		

CAUTION:

To prevent electric shocks and risk of fire hazards, do NOT use other than specified power source.



Note:

- Please note the camera's operating temperature and its using environment requirement. Avoid using the camera at too high or too low temperatures. The operating temperature is -10°C-50°C. (Recommendatory operating temperature is -5°C-40°C.)
- Never make the camera face the sun or bright object. Otherwise, it will damage the CCD.
- Do not mount the camera near by the radiator or heater.